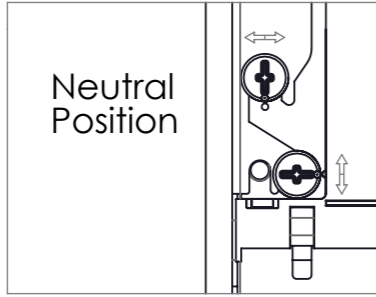
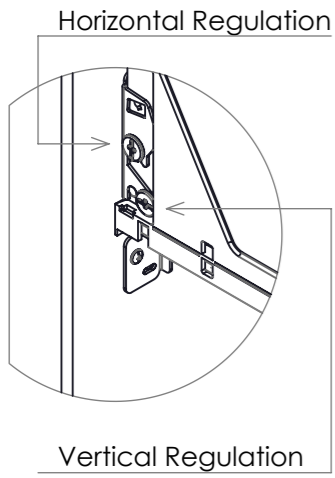
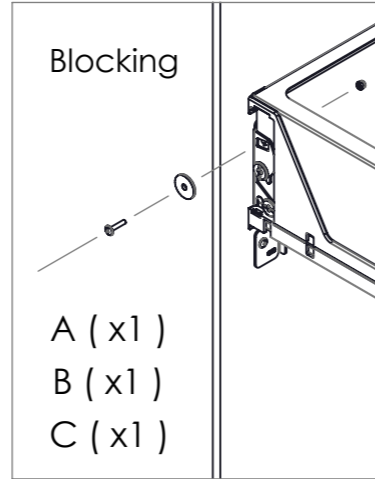


5



Repeat for the Left Side

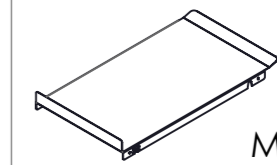


# نم الة

1 9 5 4

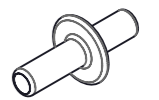
## BLOCK 2.0

### Optional Components



M (x1)

Model P47 : L = 334  
Model P42 : L = 284  
Model P35 : L = 224

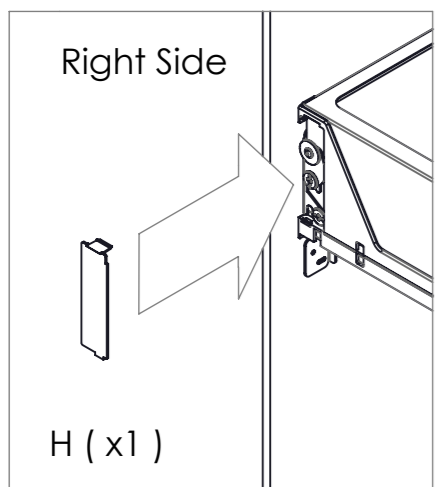


N (x4)



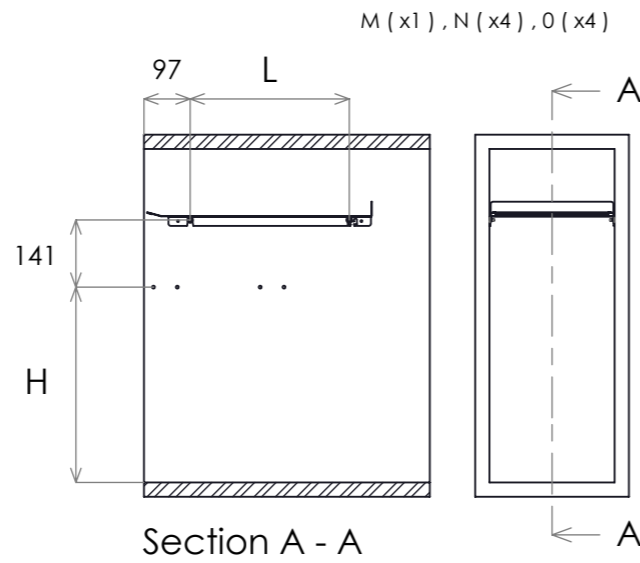
O (x4)

6

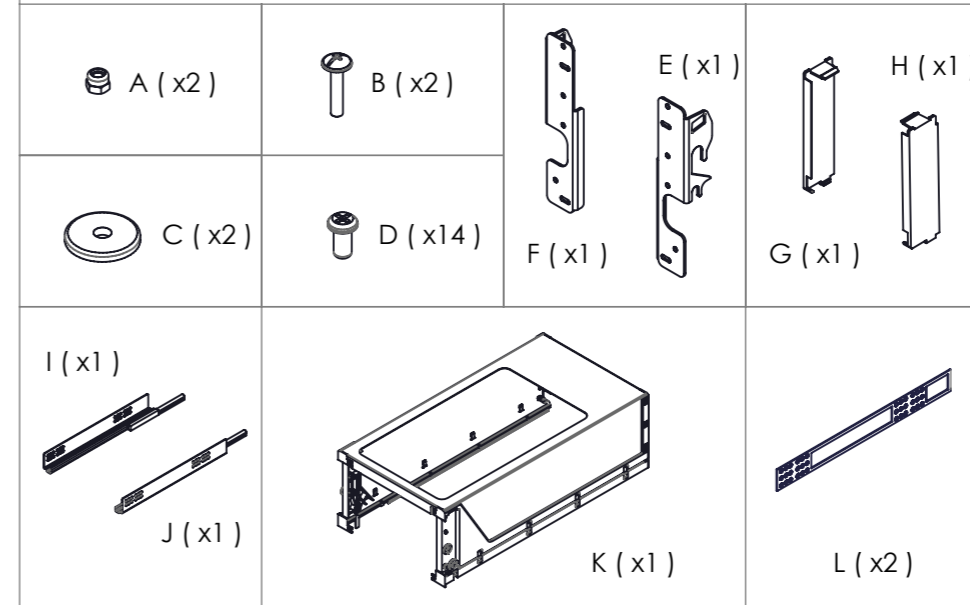


Repeat for the Left Side  
G (x1)

7 ( Optional )



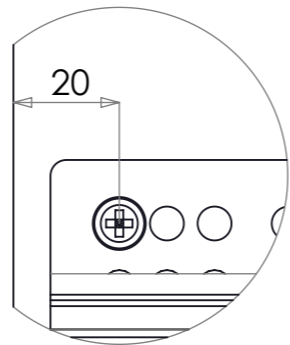
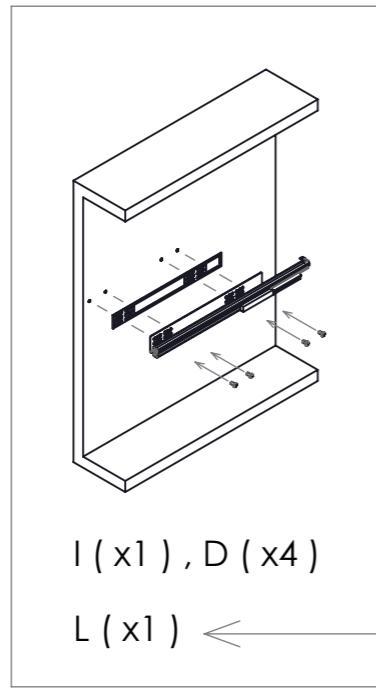
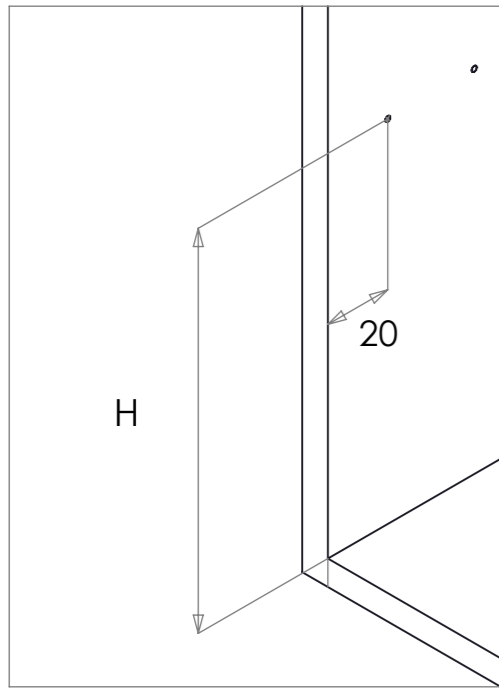
### Components



| S   | H   |
|-----|-----|
| 580 | 460 |
| 530 | 410 |
| 440 | 320 |
| 340 | 220 |
| 280 | 160 |
| 220 | 100 |



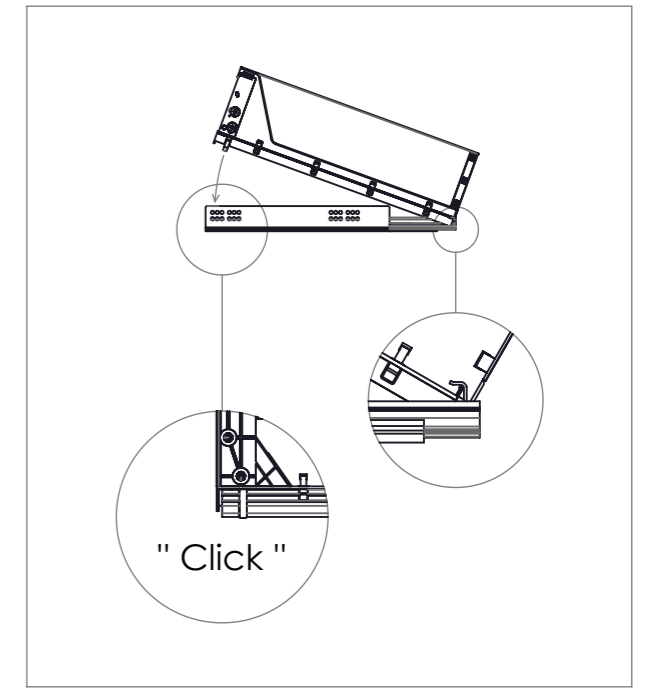
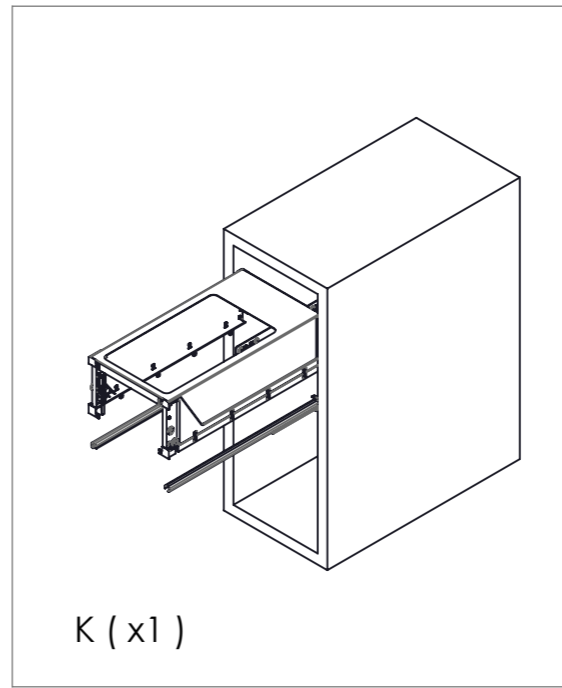
1



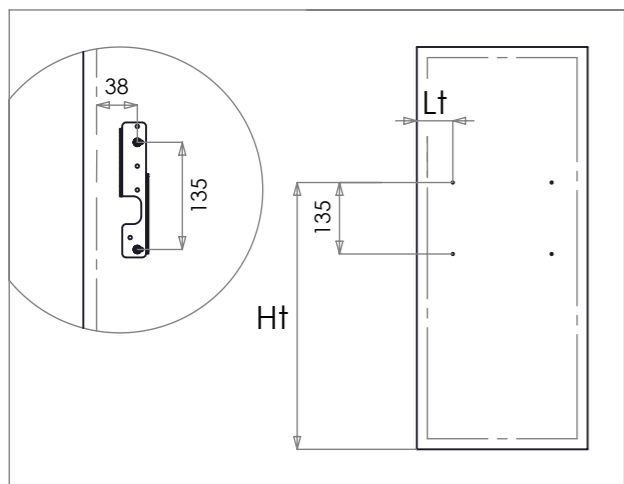
Repeat for the right side  
J ( x1 ) , D ( x4 ) , L ( x1 )

Only for 16 mm  
side panel thickness

2

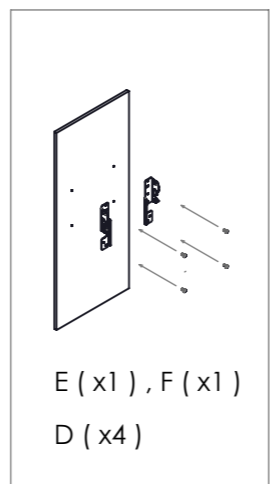
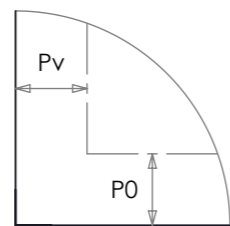


3

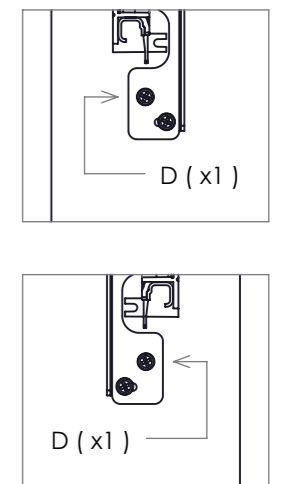
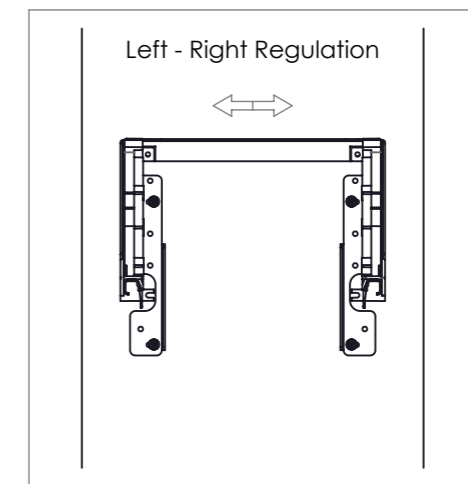
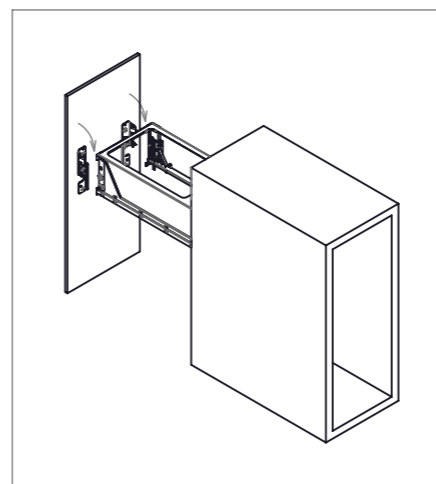


$$Ht = H + P0 + 60$$

$$Lt = Pv + 38$$



4



Base Starting Point